



# TROY PRODUCTS

## INSTALLATION INSTRUCTIONS

Jan. 31, 2020  
Revision 1

A division of Troy Sheet Metal Works, Inc.  
1024 South Vail Avenue, Montebello, CA 90640  
www.troyproducts.com 800 700-8769

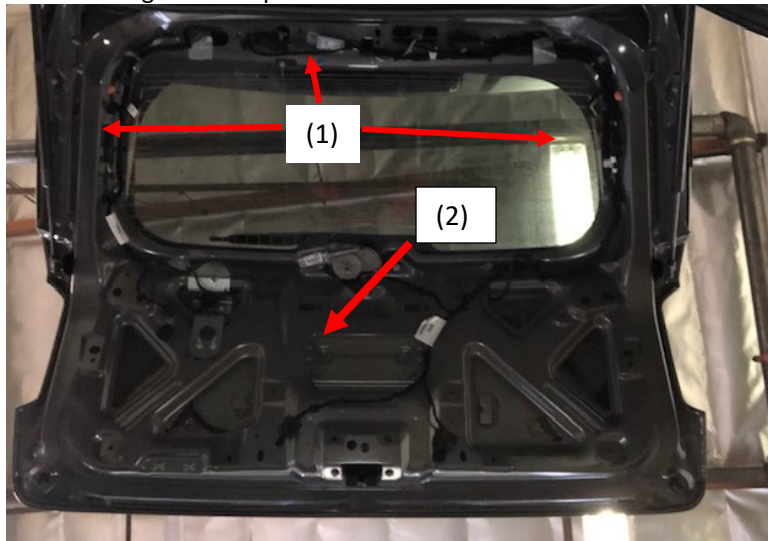
Part No: AC-20-UV-HATCH  
Description: Rear lift gate window guard

Vehicle: Ford PIUV  
Model year: 2020



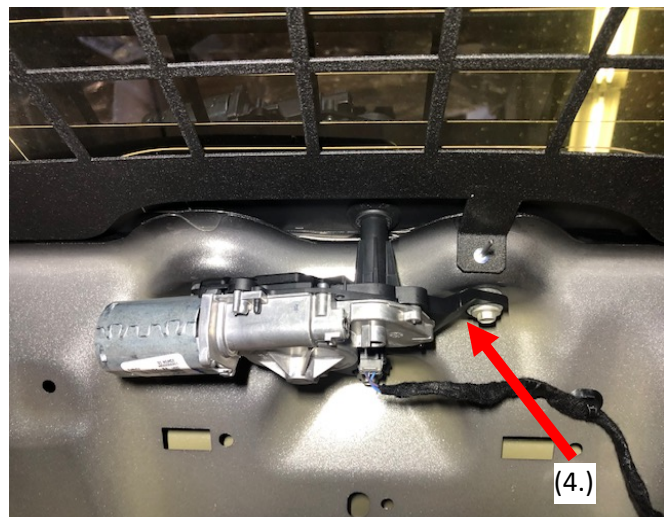
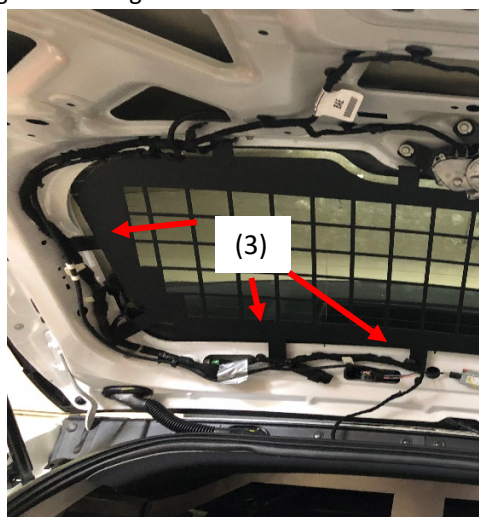
### I.) Remove O.E.M. trim:

- 1.) Remove the upper three plastic trim pieces around window.
- 2.) Remove lift gate lower plastic trim around window.



### II.) Install window guard:

- 3.) Place the (3) upper lift gate window guard tabs under the wiring along the top of the window and press the guard tabs against the door frame.



- 4.) Center the window guard by aligning the center bottom tab with the top of the wiper motor mounting area.
- 5.) Ensure the lower tabs contact the hatch frame and the window guard is centered on the window.

AC-20-UV-HATCH

- 6.) Using the window guard as a template, carefully drill (10) 3/16" holes (through existing holes in the mounting tabs) into the vehicle frame. Drill through one layer of sheet metal only. Be cautious to not drill through any wires or mechanical devices in the door.

**IMPORTANT NOTE:**

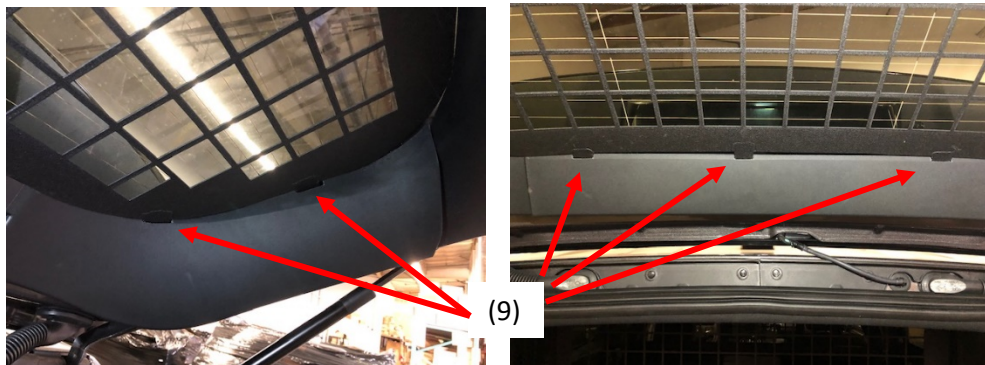
**RIVETS ARE PROVIDED FOR THE INSTALLATION TO ENSURE THE MOST SECURE MOUNTING OF THE WINDOW GUARD TO THE WINDOW FRAME.**

***SELF-TAPPING SCREWS SHOULD NOT BE USED AS THE THIN METAL AROUND WINDOW FRAME DOES NOT PROVIDE SECURE ANCHOR POINTS.***

- 7.) Secure the window guard using the (10) included pop rivets beginning at the lower center tab, followed by the sides, bottom and then the top.

**III.) Modifications to O.E.M. trim:**

- 8.) Re-install the lower plastic hatch cover.
- 9.) Make relief cuts in the upper 3 O.E.M. trim pieces for the tabs of the hatch window guard.

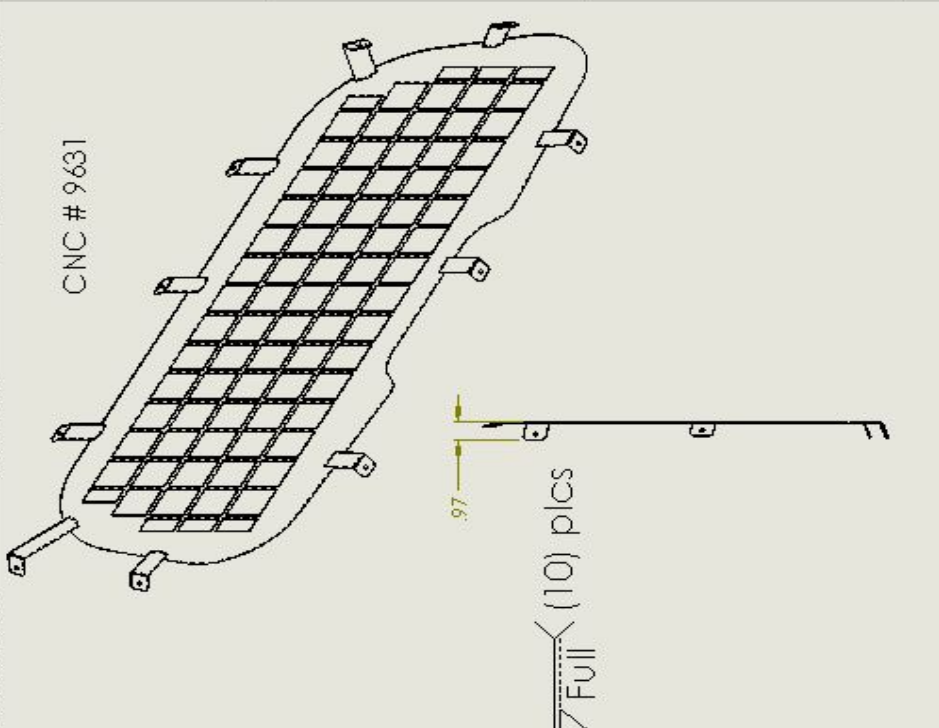


- 10.) Re-install sides pieces first then the center piece.



Your installation is now complete. If you have any questions or suggestions for adding additional instructions, please call **Customer Service at (800) 700-8769.**

ZONE	REV.	DESCRIPTION	DATE	APPROVED



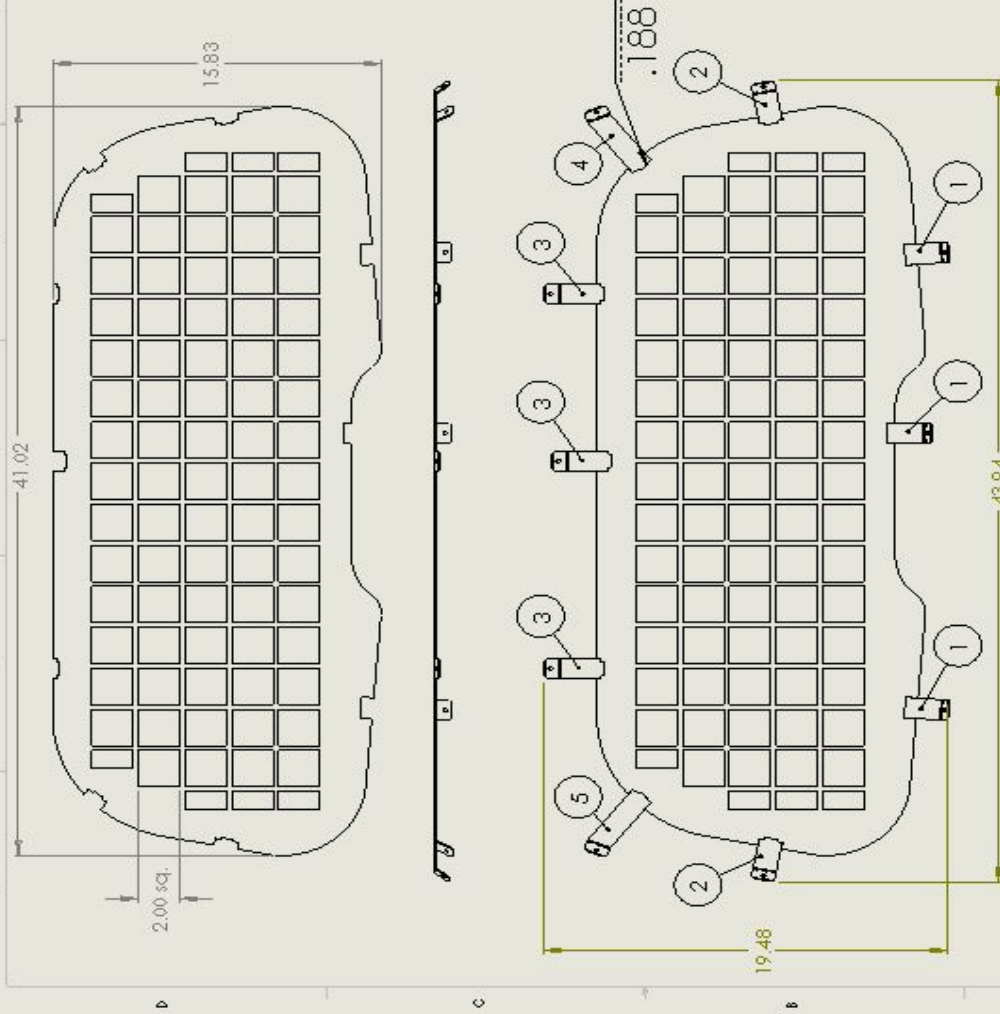
DATE	BY	CHKD	APP'D

1034 South Veal Avenue  
Menlo Park, CA 94025

2020 Ford UV rear hatch screen

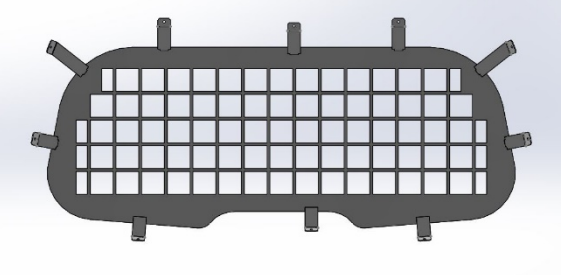
SEE DWG. NO. **B** AC-20-UV-HATCH

SCALE: 1:3 SHEET 1 OF 1



ITEM NO.	PART NUMBER	DESCRIPTION	QTY.
1	AC-20-UV-HATCH-#1	Lower tab	3
2	AC-20-UV-HATCH-#2	middle tab	2
3	AC-20-UV-HATCH-#3	Upper tab	3
4	AC-20-UV-HATCH-#4	Corner tab	1
5	MirrorAC-20-UV-HATCH-#14	Mirror of corner tab	1
6	1-FST-55-56000-stc	3/16" pop rivet (loose)	10
7	3-PAK-402404	Box 40" x 24" x 4" DW 275#	1

**AC-20-UV-HATCH  
BILL OF MATERIALS**

PART #	DESCRIPTION	QTY.	PICTURE
AC-20-UV-HATCH	REAR HATCH SCREEN	1	
1-FST-55-56000-STC	3/16" POP RIVET	10	